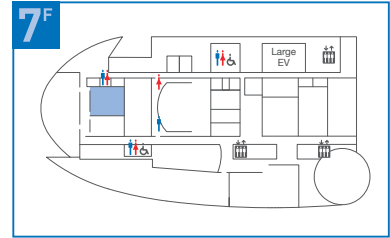


Conference Room Saturn

This bright and open space faces the central courtyard.

Main Uses

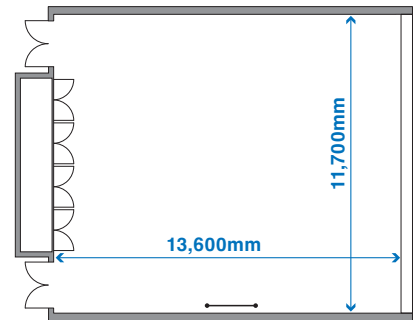
Exhibitions, workshops, symposiums, internal meetings and training, courses and seminars



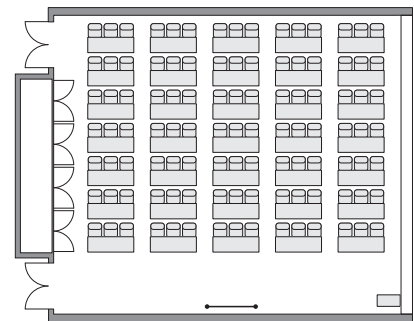
Basic layout (Classroom style)



Floor plan

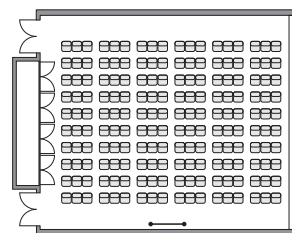


Basic layout plan

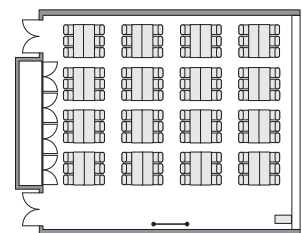


Layout Examples

Theater-style



Island style



Specifications

Floor space	Ceiling height	Classroom style	Theatre-style	Island style	Projector
160m ²	3m	105 seats	180 seats	96 seats	○
Screen (projection size)	Wireless microphones	Wired Microphone	Audio equipment	Black-out curtain	Roll-up curtain
120 inches aspect ratio 4:3	4	2	○	○	○